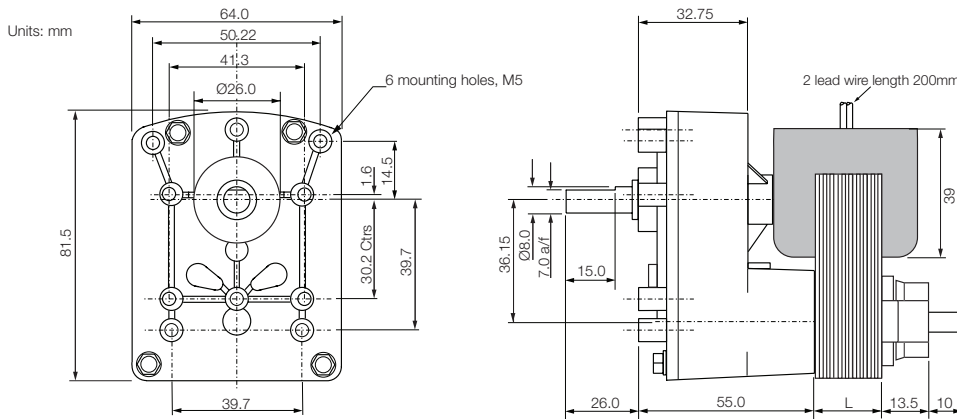


# AC Motors

## AC Shaded Pole Motor/Gearbox

Issue 04



### Typical Ratios

- 11:1 (2001:176)
- 15:1 (4437:486)
- 22:1 (18879:851)
- 33:1 (756:23)

### Gearbox Options

- Special Shafts
- Roller Bearings
- Fan
- Brakes

Model	Length 'L' (mm)	Voltage* (V)	Current (A)	Input Power (W)
SPM13	13	240	0.15	15
		110	0.3	18
SPM19	19	240	0.21	21
		110	0.4	26
SPM25	25	240	0.22	25
		110	0.58	32
SPM38	38	240	1.0	95
		110	2.0	90

### Motor Specification

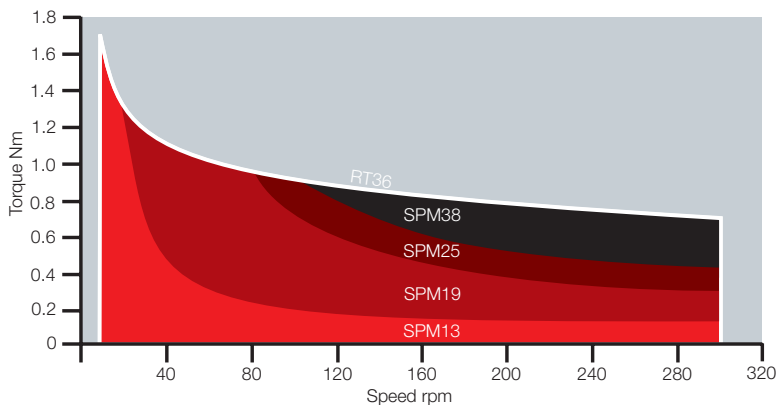
- Frequency 50/60Hz
- Speed 2900/3100rpm
- Insulation class F with 120°C thermal protection device

### Gearbox specification

- Construction Diecast case + front plate
- Drive shaft Stainless steel
- Bearings Sintered steel
- Gearing Hobbed spur and helical gears using steel, brass, tufnol and nylon running on hardened spindles
- Temperature 80°C max at the gearcase

\* Please contact Rotalink if you wish to run this motor at other voltages

### Characteristics



### Contact:

www.rotalink.com  
 info@rotalink.com  
 T: +44 (0)1460 72000  
 F: +44 (0)1460 74278

Rotalink Limited  
 Cropmead, Crewkerne  
 Somerset TA18 7HQ, UK

www.rotalink.com