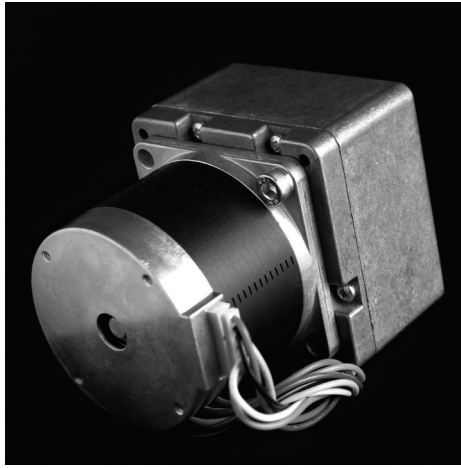


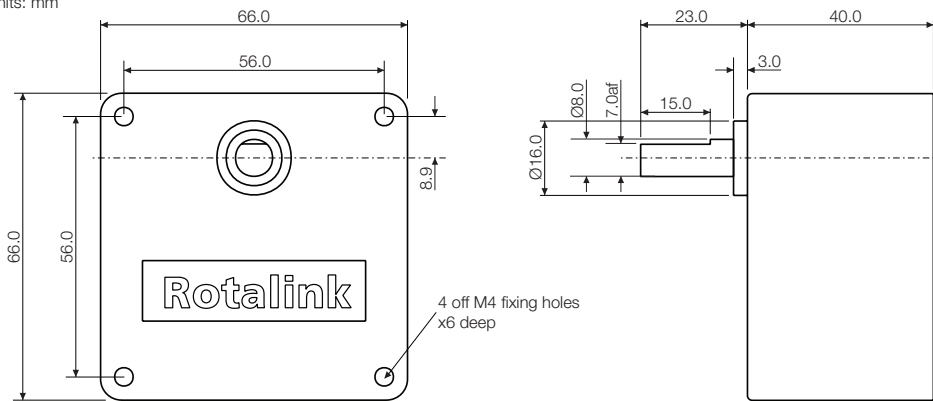
Gearboxes

SQ40
 Spur Square
 Issue 04:CN2184



Rotalink
 Miniature Motors, Transmission and Control

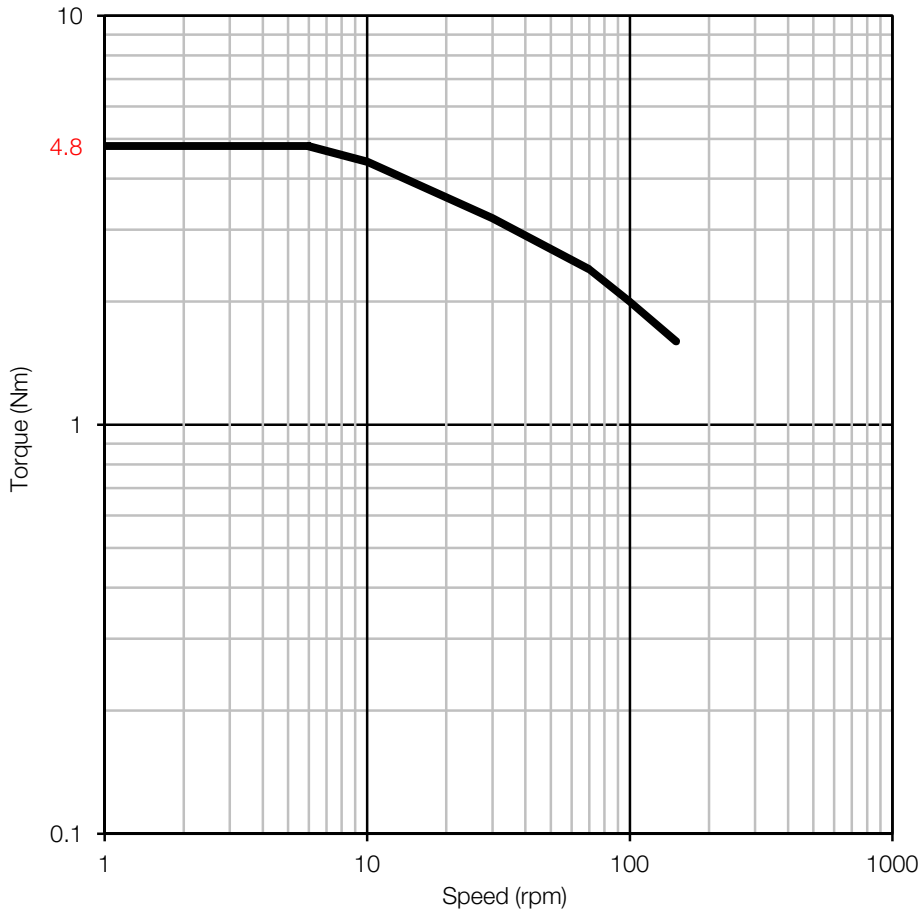
Units: mm



Typical Ratios

5:1	250:1
12.5:1	500:1
25:1	1000:1
50:1	1250:1
100:1	2000:1

Characteristics



General Specification

Die cast gearbox case and front cover. Acetal spur gears running on fixed steel spindles. Stainless steel shaft, sintered bronze front and sintered bronze back bearing. Maximum temperature, 80°C at the gearcase.

Gearbox Options

Wide range of ratios
 Special shafts
 Ball race bearings
 SQ40H - hobbed steel gears - 6Nm

Contact:

www.rotalink.com
info@rotalink.com
 T: +44 (0)1460 72000
 F: +44 (0)1460 74278

Rotalink Limited
 Cropmead, Crewkerne
 Somerset TA18 7HQ, UK

www.rotalink.com