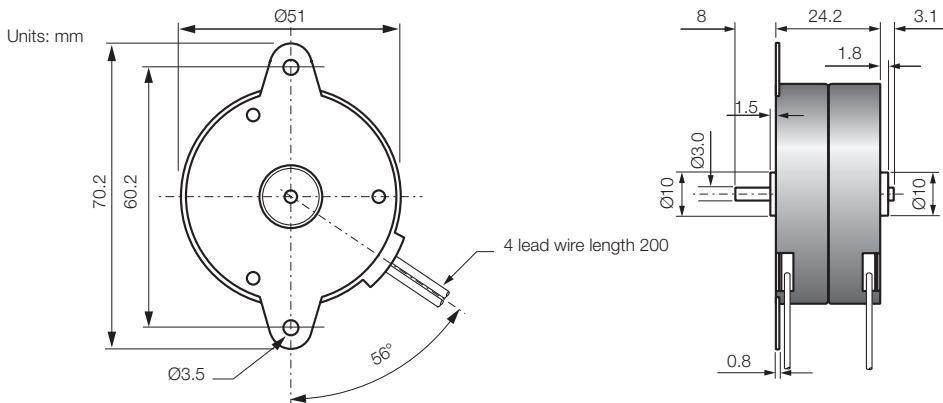


# AC Motors

R5124

Issue 03



## General Specification

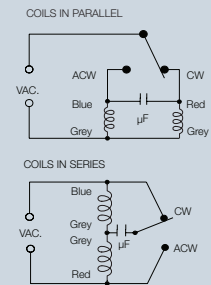
Speed	250 rpm @ 50Hz 300 rpm @ 60Hz
Ambient temperature range	-5-60°C
Dielectric strength	2000V AC 1 sec.
Weight	150g

Model	Voltage** (V)	Phasing Capacitor (µF)	Max. working voltage (VAC)	Current (mA)	Frequency (Hz)	Running torque*** (mNm)	Temp. rise °C
Coils in series							
BR4G*S	230	0.47	330	20	50/60	16	70
BR4H*S	115	2.2	250	38	50/60	16	70
YR4G*S	230	0.47	330	20	50	25	70
YR4H*S	115	2.2	250	38	50	25	70
Coils in parallel							
BR4M*S	230	0.1	330	16	50/60	17	60
BR4N*S	115	0.47	250	35	50/60	17	60
BR4P*S	48	2.2	48	80	50/60	17	60
YR4M*S	230	0.1	330	16	50	25	60
YR4N*S	115	0.47	250	35	50	25	60
YR4P*S	48	2.2	48	80	50	25	60

## Motor Options

Ø2mm shaft  
Alternative voltages / lead lengths

## Connections



\* M = with flanged mounting plate P = without flanged mounting plate - suitable for use with a gearbox

\*\* Please contact Rotalink if you wish to run this motor at other voltages

\*\*\* @ nominal voltage and 50Hz

## Contact:

[www.rotalink.com](http://www.rotalink.com)  
[info@rotalink.com](mailto:info@rotalink.com)  
 T: +44 (0)1460 72000  
 F: +44 (0)1460 74278

Rotalink Limited  
 Cropmead, Crewkerne  
 Somerset TA18 7HQ, UK

[www.rotalink.com](http://www.rotalink.com)