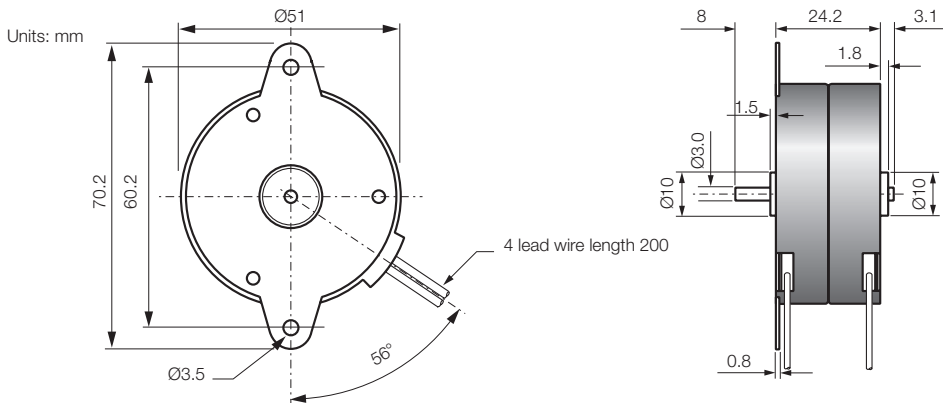


AC Motors

R5124

Issue 05:CN2304



General Specification

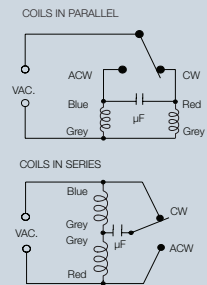
Speed	250 rpm @ 50Hz 300 rpm @ 60Hz
Ambient temperature range	-5-60°C
Dielectric strength	2000V AC 1 sec.
Insulation class	E
Weight	150g

Model	Voltage** (V)	Phasing Capacitor (µF)	Max. working voltage (VAC)	Current (mA)	Frequency (Hz)	Running torque*** (mNm)	Temp. rise °C
Coils in series							
BR4G*S	240	0.47	330	20	50/60	16	70
BR4H*S	110	2.2	250	38	50/60	16	70
YR4G*S	240	0.47	330	20	50	25	70
YR4H*S	110	2.2	250	38	50	25	70
Coils in parallel							
BR4M*S	240	0.1	330	16	50/60	17	60
BR4N*S	110	0.47	250	35	50/60	17	60
BR4P*S	48	2.2	48	80	50/60	17	60
YR4M*S	240	0.1	330	16	50	25	60
YR4N*S	110	0.47	250	35	50	25	60
YR4P*S	48	2.2	48	80	50	25	60

Motor Options

Ø2mm shaft
Alternative voltages / lead lengths

Connections



* M = with flanged mounting plate P = without flanged mounting plate - suitable for use with a gearbox

** Please contact Rotalink if you wish to run this motor at other voltages

*** @ nominal voltage and 50Hz

Contact:

www.rotalink.com
info@rotalink.com
 T: +44 (0)1460 72000
 F: +44 (0)1460 74278

Rotalink Limited
 Cropmead, Crewkerne
 Somerset TA18 7HQ, UK

www.rotalink.com