

# Gearboxes

## Type 320

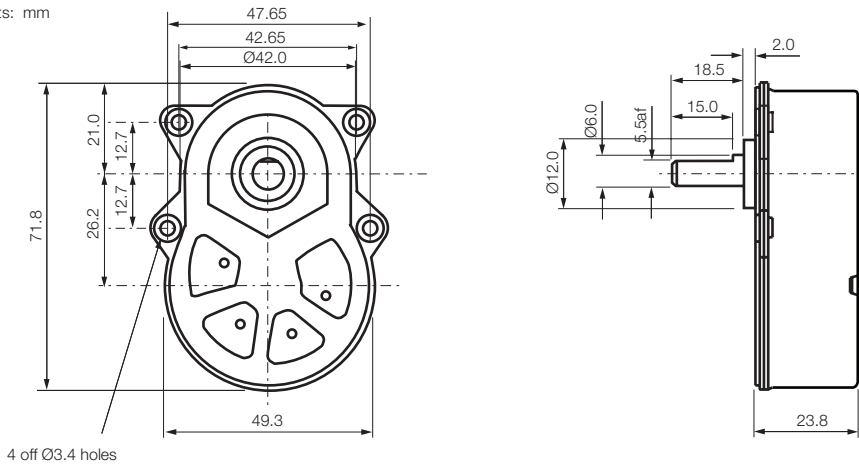
Issue 03



# Rotalink

Miniature Motors, Transmission and Control

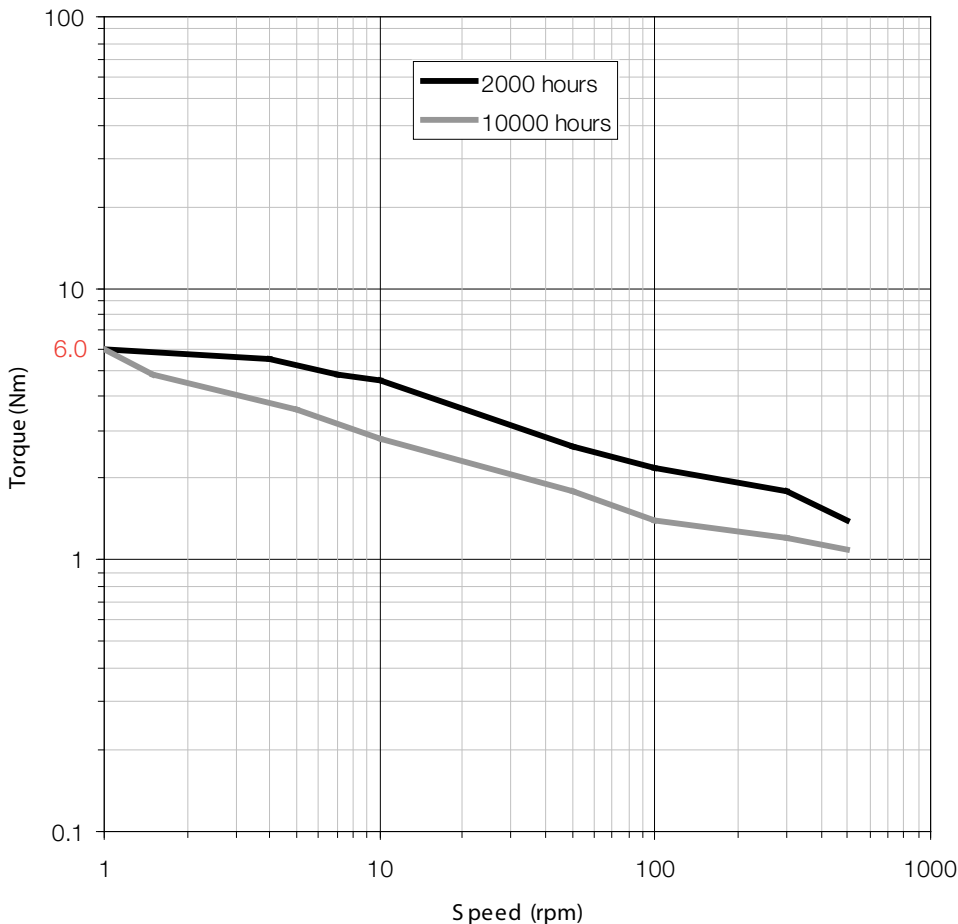
Units: mm



### Typical Ratios

15:1 (490:33)	203:1 (610:3)
19:1 (135:7)	241:1 (3375:14)
24:1 (1647:70)	305:1
29:1 (315:11)	407:1 (1220:3)
37:1 (3645:98)	617:1 (4320:7)
45:1 (44469:980)	781:1 (3904:5)
71:1 (222345:3136)	833:1 (5832:7)
98:1 (488:5)	1054:1 (26352:25)
121:1 (3375:28)	1286:1 (9000:7)
153:1 (305:2)	1627:1 (4880:3)
161:1 (1125:7)	3471:1 (24300:7)

### Characteristics



### General Specification

Zinc plated pressed steel gearbox case and front cover with 4 point fixing. Spur gears running on fixed steel spindles. Ultra polymer gears, stainless steel shaft, ball race front and back bearing. Maximum temperature, 80°C at the gearcase.

### Gearbox Options

Special shafts  
M3 threaded eyelets - Min bulkhead thickness for countersunk screws, 2mm

### Contact:

[www.rotalink.com](http://www.rotalink.com)  
[info@rotalink.com](mailto:info@rotalink.com)  
 T: +44 (0)1460 72000  
 F: +44 (0)1460 74278

Rotalink Limited  
 Cropmead, Crewkerne  
 Somerset TA18 7HQ, UK

[www.rotalink.com](http://www.rotalink.com)