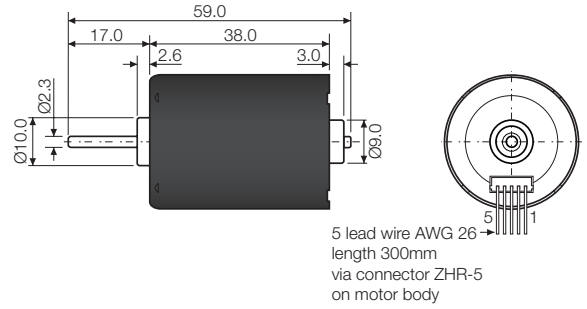
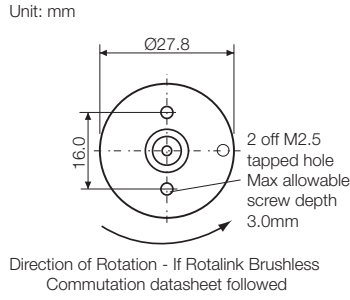


DC Motors

BLB2838-2407

Issue 05:CN5535



Performance									
Volts V	No Load		Max Cont. Power at 23°C				Stall		Max Power W
	Speed rpm	Current A	Speed rpm	Current A	Torque mNm	Output W	Torque mNm	Current A	
24	10000	0.28	7800	1.08	20.7	17.0	36.0	1.8	20.5

Performance characteristics and general specification are from calculated data.

General Specification

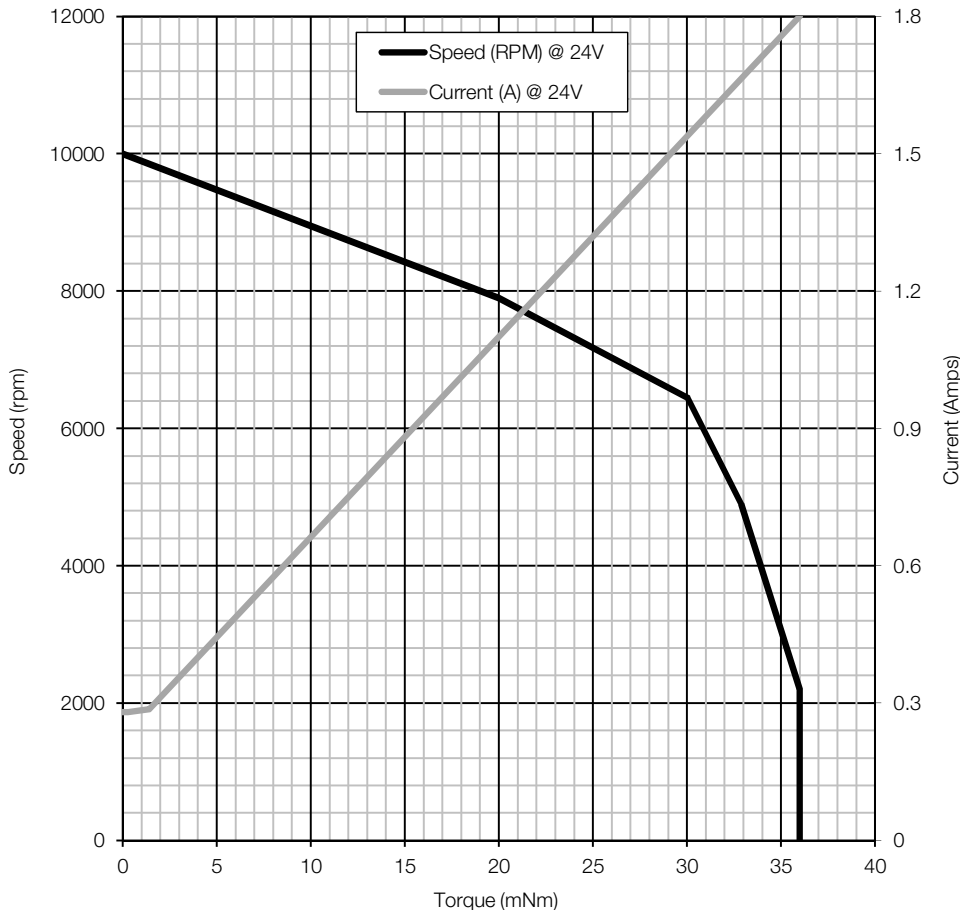
Bearings	Ball race
Commutation	Built-in, with sensors
Rotation	CCW
Number of poles	6
Nominal resistance	3.0 Ω
Nominal Inductance	0.9 mH
Typical max. detent torque	4 mNm
Max Cont. Torque at 23°C	20 mNm
Max Cont. Torque at 40°C	10 mNm
Motor weight	85 g

Operating voltage	18-26 V
Signal voltage	0-5 V

Connector Interface

Pin	Colour	Signal	I/O	Specification
1	Op. Voltage (Red)		IN	18-26 V
2	GND (Black)		IN	
3	Tacho Output (Yellow)	VOH	OUT	2V ≤ V ≤ 5V, at 5V 4.7kΩ pull up
		VOL		0.6 V max
		Sink current		3 mA max
		Output pulse		3 pulse/round
4	Direction (White)	VOH	IN	2V ≤ V ≤ 5V or open :CCW
		VOL		0.8 V max :CW
5	Speed Control (Blue)	VOH	IN	2V ≤ V ≤ 5V or open :motor stop
		VOL		0.8 V max motor drive
		PWM signal		20 kHz ~ 30 kHz

Characteristics



Contact:
www.rotalink.com
info@rotalink.com
 T: +44 (0)1460 72000

Rotalink Limited
 Cropmead, Crewkerne
 Somerset TA18 7HQ, UK

www.rotalink.com