

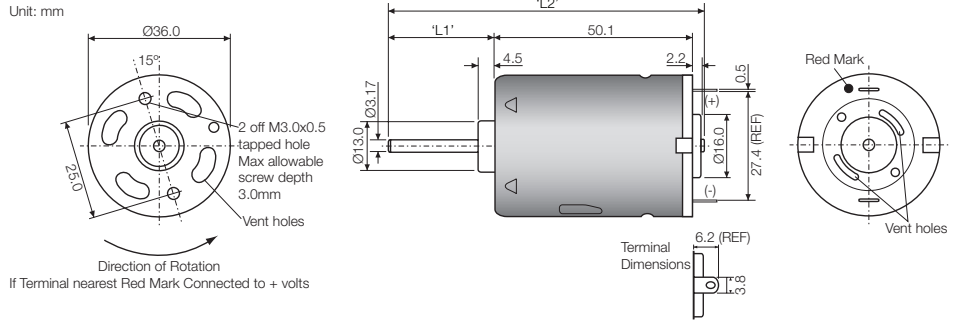
DC Motors

D3650-2578

Issue 08:CN4316

Rotalink

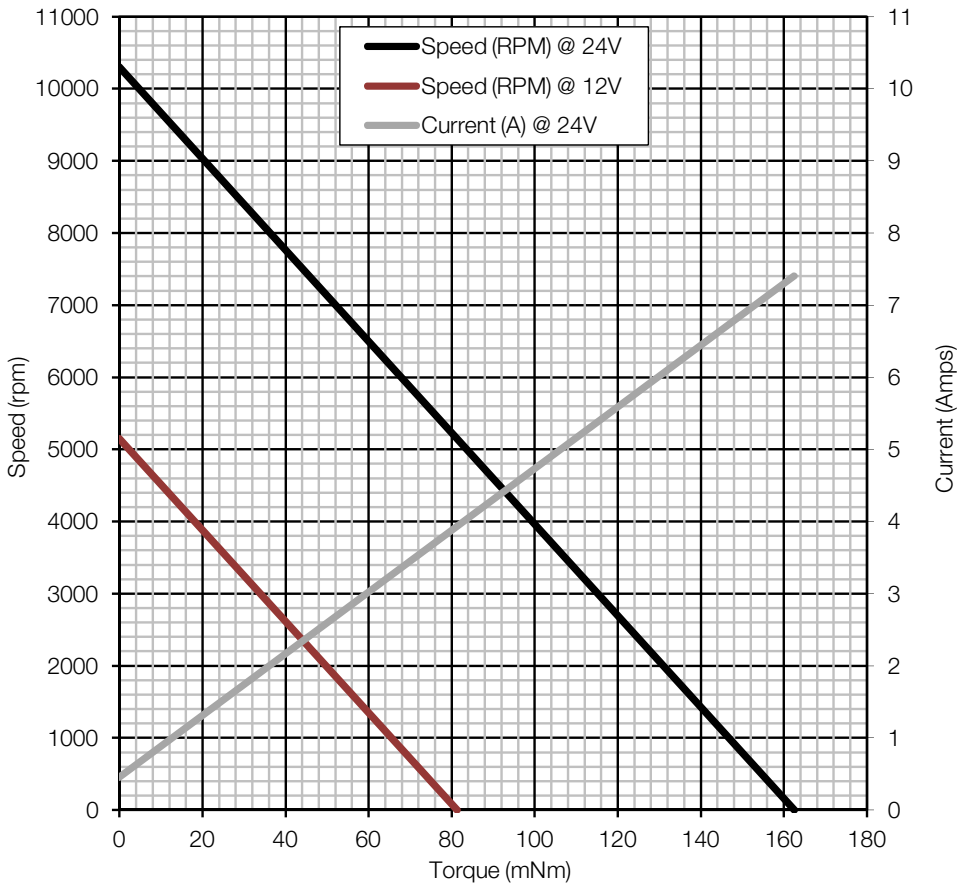
Miniature Motors, Transmission and Control



Model Number	Performance									
	Volts V	No Load		Maximum Efficiency				Stall		Max Power W
		Speed rpm	Current A	Speed rpm	Current A	Torque mNm	Output W	Torque mNm	Current A	
D3650-2578	24	10300	0.45	8795	1.27	23.4	21.6	162.5	7.4	43.8
	12	5150	0.36	4008	1.10	18.0	7.6	81.3	3.7	11.0

Performance characteristics and general specification are from calculated data.

Characteristics



General Specification

Bearings	Sintered
Brushes	Carbon
Rotation	Bi-directional
Number of poles	5
Operating voltage	12 V to 28 V
Nominal resistance	4.9 Ω
Nominal inductance	2.3 mH
Typical detent torque	7 mNm
Suppression	Internal ring varistor
Weight (D3650-2578)	155 g
Shaft length options 'L1', 'L2'	
D3650-2578	27.0mm, 80.0 mm
D3650-2578S	19.0mm, 72.0 mm

Contact:
www.rotalink.com
info@rotalink.com
 T: +44 (0)1460 72000

Rotalink Limited
 Cropmead, Crewkerne
 Somerset TA18 7HQ, UK

www.rotalink.com

This drawing and any information, descriptions and know how contained hereon (altogether "the drawing") are confidential and are the sole property of Rotalink Limited. Rotalink Limited owns all copyright, design right and all other intellectual property in the drawing and neither the drawing nor any part of it may be disclosed, loaned, copied, used for manufacturing or in relation to tenders or used for any other purpose without the express written permission of Rotalink Limited.

The contents of this data sheet are intended as reference material not product specification and are subject to alteration without prior notice. Please contact our sales team for detailed information.