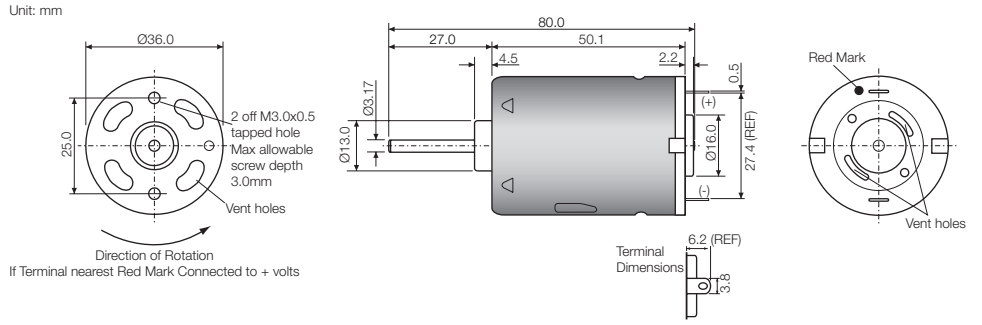


DC Motors

D3650-2868

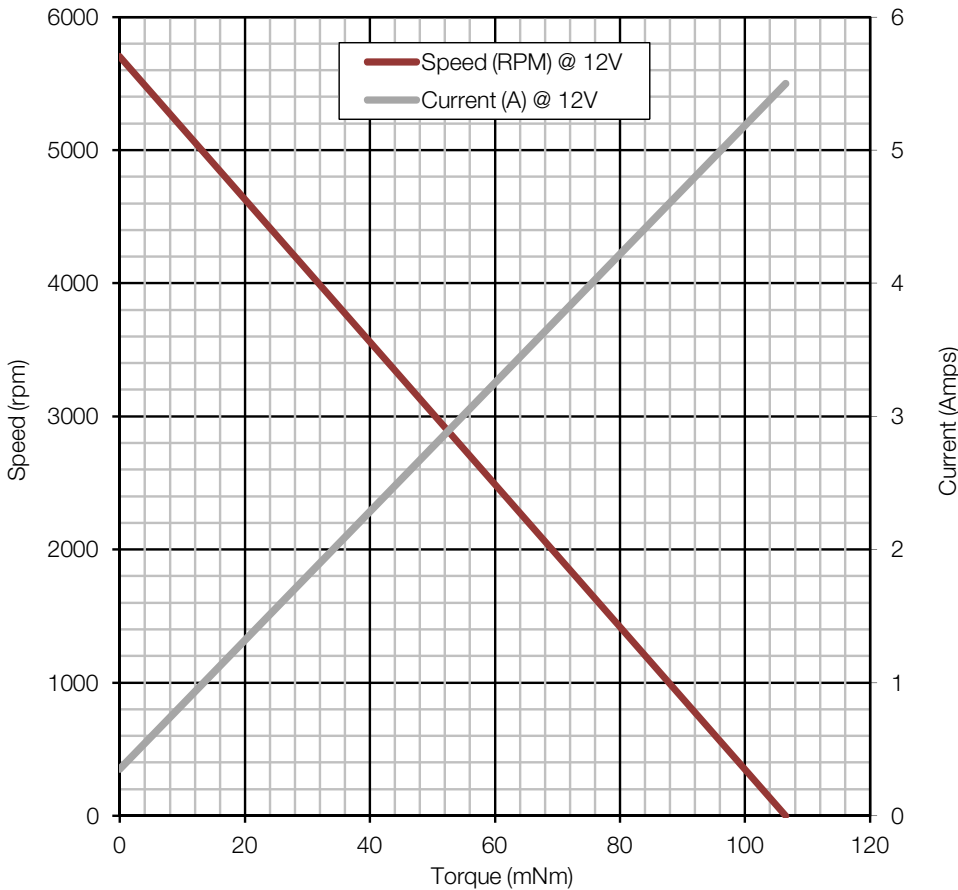
Issue 07:CN3815



| Model Number | Performance | | | | | | | | | |
|--------------|-------------|-----------|-----------|--------------------|-----------|------------|----------|------------|-----------|-------------|
| | Volts V | No Load | | Maximum Efficiency | | | | Stall | | Max Power W |
| | | Speed rpm | Current A | Speed rpm | Current A | Torque mNm | Output W | Torque mNm | Current A | |
| D3650-2868 | 12 | 5700 | 0.35 | 4769 | 0.89 | 14.2 | 7.1 | 106.5 | 5.5 | 15.9 |

Performance characteristics and general specification are from calculated data.

Characteristics



General Specification

| | |
|-----------------------|------------------------|
| Bearings | Sintered |
| Brushes | Carbon |
| Rotation | Bi-directional |
| Number of poles | 5 |
| Operating voltage | 8 V to 18 V |
| Nominal resistance | 3 Ω |
| Nominal inductance | 1.6 mH |
| Typical detent torque | 6 mNm |
| Suppression | Internal ring varistor |
| Weight | 155 g |

Contact:

www.rotalink.com
info@rotalink.com
 T: +44 (0)1460 72000

Rotalink Limited
 Cropmead, Crewkerne
 Somerset TA18 7HQ, UK

www.rotalink.com