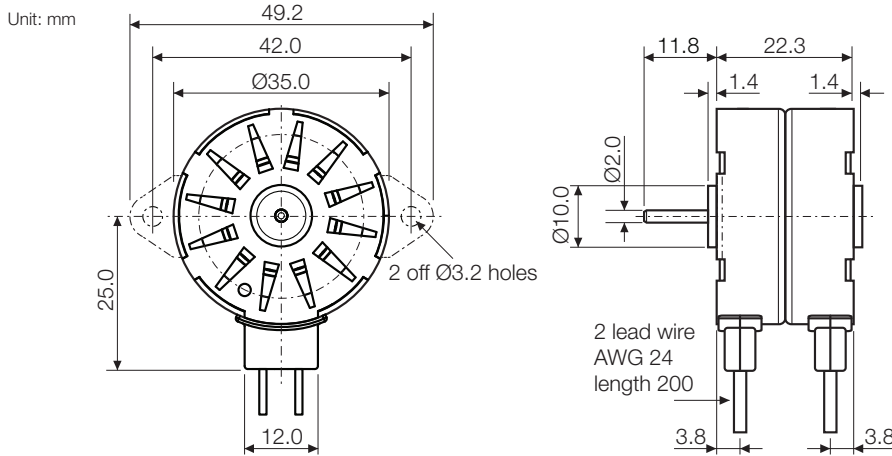
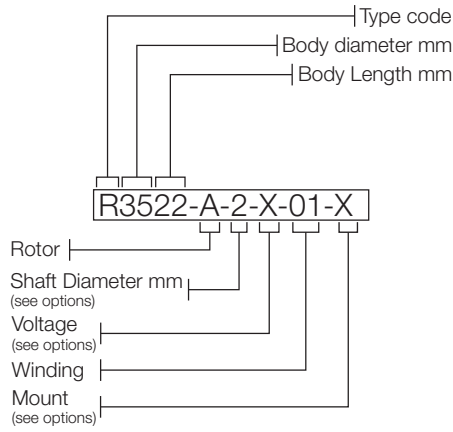


AC Motors

R3522

Issue 05:CN5642



General Specification

Speed	250 rpm @ 50Hz 300 rpm @ 60Hz
Ambient temperature range	-10 to 50°C
Dielectric strength	1500V AC 2 sec.
Insulation class	E
Weight	80g

Model	Voltage** V	Phasing Capacitor * µF	Total Current mA (MAX)	Output Power *** W	Running torque*** mNm
Coils in series					
R3522-A2A02X	230	0.33 (330VAC)	25	0.26	10
R3522-A2B04X	115	1.20 (250VAC)	45	0.26	11

Motor Options

Shaft Diameter (ØD) - 2mm
Voltage - 230V (A), 115V (B)
Mount - Clip (C), Adaptor Plate (S)

Alternative lead lengths

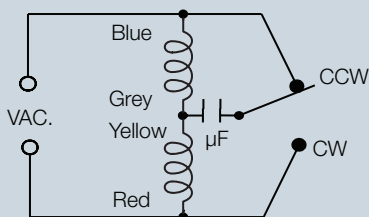
* Not supplied

** ±10% Please contact Rotalink if you wish to run this motor at other voltages.

*** @ nominal voltage, 50Hz and 20°C.

Connections

COILS IN SERIES



Contact:

www.rotalink.com
info@rotalink.com
T: +44 (0)1460 72000

Rotalink Limited
Cropmead, Crewkerne
Somerset TA18 7HQ, UK

www.rotalink.com