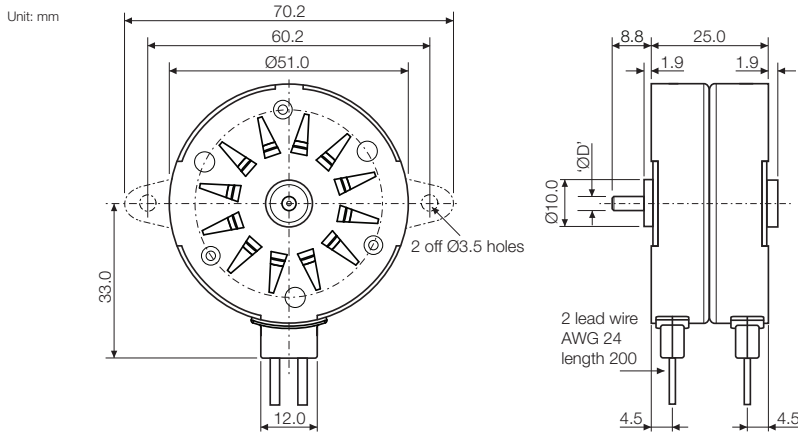
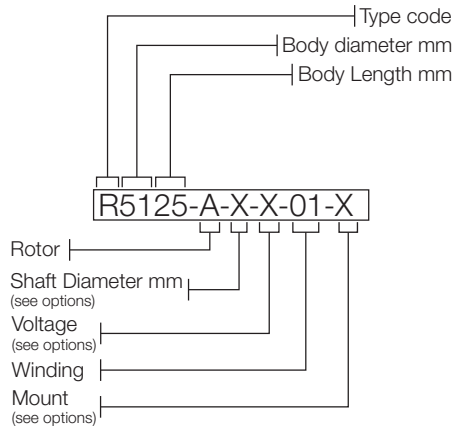


AC Motors

R5125

Issue 06:CN5642



General Specification

Speed	250 rpm @ 50Hz 300 rpm @ 60Hz
Ambient temperature range	-10 to 50°C
Dielectric strength	1500V AC 2 sec.
Insulation class	E
Weight	190g

Model	Voltage** V	Phasing Capacitor * µF	Total Current mA (MAX)	Output Power *** W	Running torque*** mNm
Coils in parallel					
R5125-AXA01X	230	0.15 (330VAC)	40	1.0	35
R5125-AXB03X	115	0.56 (250VAC)	75	1.0	35

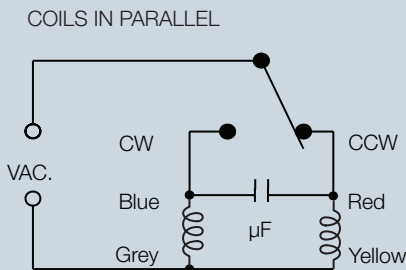
Motor Options

Shaft Diameter (ØD) - 2mm, 3mm
Voltage - 230V (A), 115V (B)
Mount - Clip (C), Adaptor Plate (S)

Alternative lead lengths

* Not supplied
** ±10% Please contact Rotalink if you wish to run this motor at other voltages.
*** @ nominal voltage, 50Hz and 20°C.

Connections



Contact:
www.rotalink.com
info@rotalink.com
T: +44 (0)1460 72000

Rotalink Limited
Cropmead, Crewkerne
Somerset TA18 7HQ, UK

www.rotalink.com