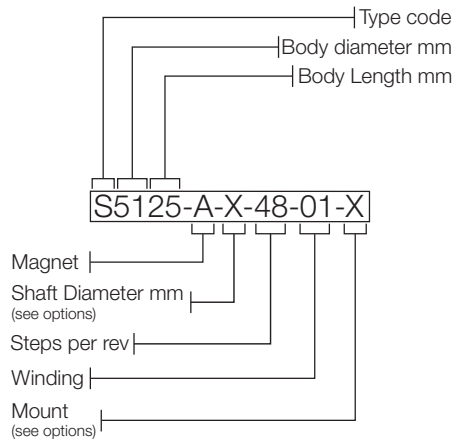


Permanent Magnet Stepping Motors

S5125

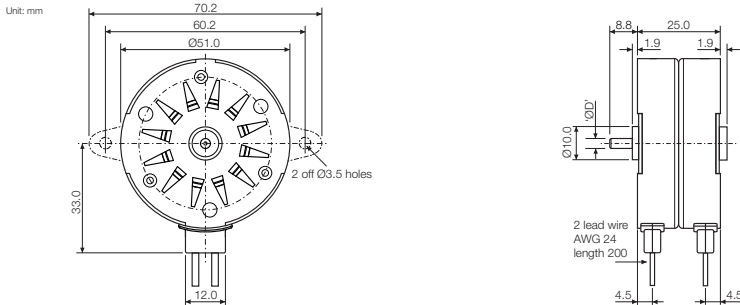
Issue 03:CN5460



Rotalink

Miniature Motors, Transmission and Control

Model Number	Phase voltage V	Phase current A	Phase resistance Ω	Phase inductance @ 50Hz mH	Winding
S5125-AX-48-01X	5	0.33	15	60	Bipolar



General Specification

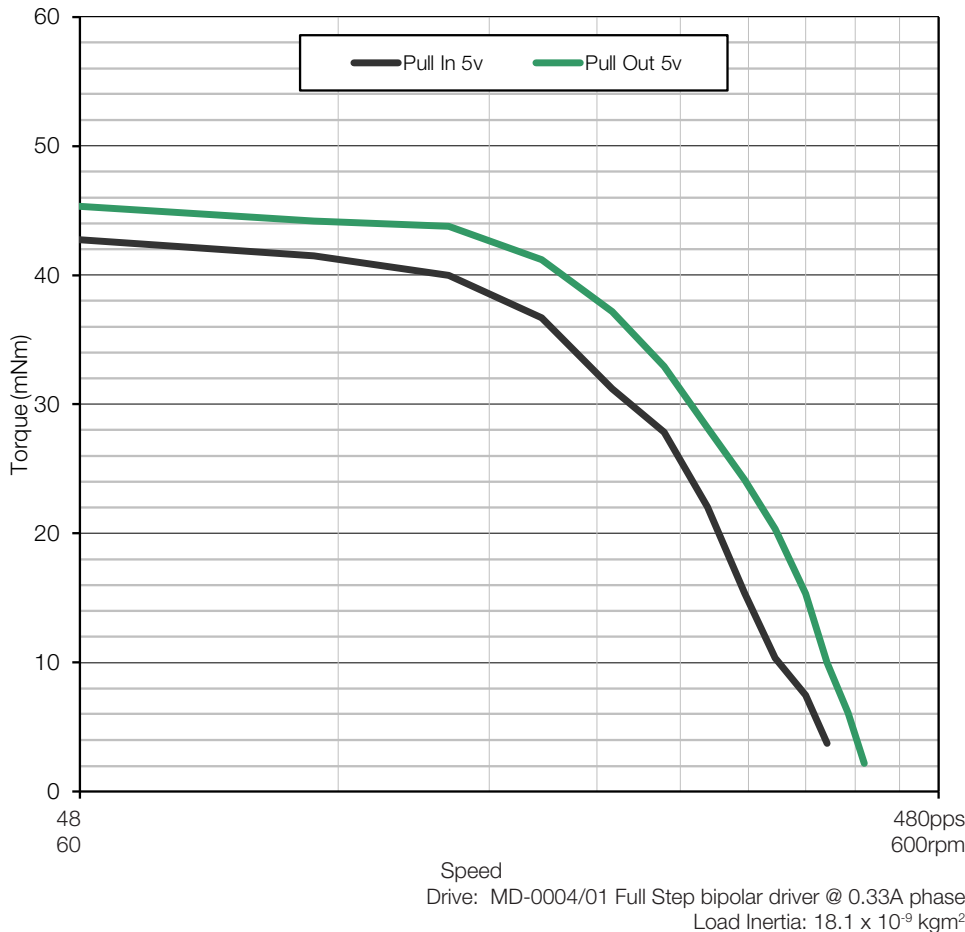
Holding torque	59mNm
Step angle	7.5°
Rotor Inertia	1.9 kgm ² x10 ⁻⁶
Temperature rise	60°C
Ambient temp. range	-10°C to +50°C
Dielectric strength	1500V AC 1sec
Weight	190g

Motor options

Shaft Diameter (ØD) - 2mm, 3mm
Mount - Clip (C), Adaptor Plate (S)

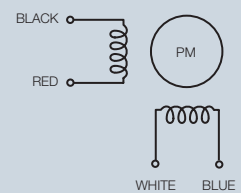
Alternative voltage/phase resistance
Alternative lead lengths

Characteristics



Full step bipolar sequence

CW dir.	Step 1	Step 2	Step 3	Step 4
Black	-	+	+	-
Red	+	-	-	+
White	+	+	-	-
Blue	-	-	+	+



Contact:

www.rotalink.com
info@rotalink.com
T: +44 (0)1460 72000

Rotalink Limited
Cropmead, Crewkerne
Somerset TA18 7HQ, UK

www.rotalink.com