

# Gearboxes

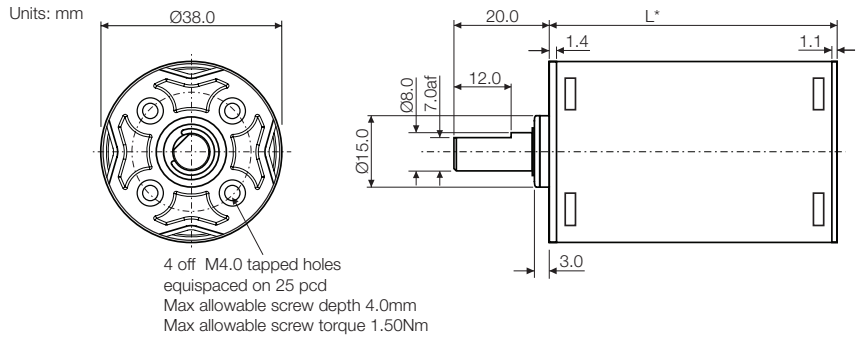
Type PG38

Planetary Polymer

Issue 07:CN5623

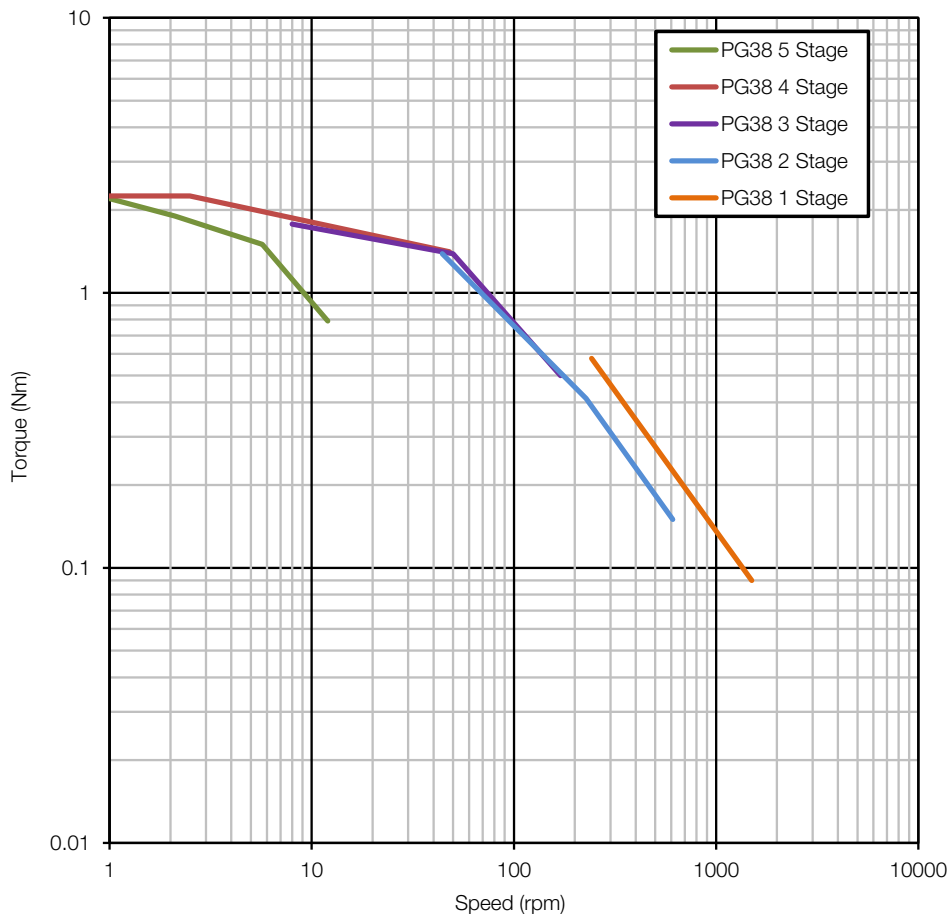
# Rotalink

Miniature Motors, Transmission and Control



| Stage      | 1           | 2               | 3                   | 4                       | 5                        |
|------------|-------------|-----------------|---------------------|-------------------------|--------------------------|
| Length* mm | 23.1        | 30.6            | 38.2                | 45.7                    | 53.3                     |
| Ratio      | 4:1 (95:23) | 15:1 (2375:161) | 53:1 (59375:1127)   | 188:1 (1484375:7889)    | 777:1 (141015625:181447) |
|            |             | 19:1            | 61:1 (225625:3703)  | 218:1 (5640625:25921)   | 899:1 (535859375:596183) |
|            |             | 23:1 (1045:46)  | 70:1 (857375:12167) | 252:1 (21434375:85169)  | 1001:1 (1128125:1127)    |
|            |             |                 | 87:1 (437:5)        | 291:1 (81450625:279841) | 1197:1 (62046875:51842)  |
|            |             |                 | 105:1 (209:2)       | 335:1 (2481875:7406)    | 1594:1 (7184375:4508)    |
|            |             |                 | 125:1 (11495:92)    | 446:1 (287375:644)      | 2374:1 (218405:92)       |
|            |             |                 |                     | 516:1 (1092025:2116)    |                          |
|            |             |                 |                     | 575:1 (2299:4)          |                          |
|            |             |                 | 687:1 (126445:184)  |                         |                          |

Performance characteristics and general specification are from calculated data.



## General Specification

Steel rolled cover enclosing polymer end plates with ultra polymer annulus and gears. 4 point equispaced fixings. Stainless steel shaft with ball race bearing. Maximum temperature 60°C at the gearcase.

### Contact:

[www.rotalink.com](http://www.rotalink.com)  
[info@rotalink.com](mailto:info@rotalink.com)  
 T: +44 (0)1460 72000

Rotalink Limited  
 Cropmead, Crewkerne  
 Somerset TA18 7HQ, UK

[www.rotalink.com](http://www.rotalink.com)